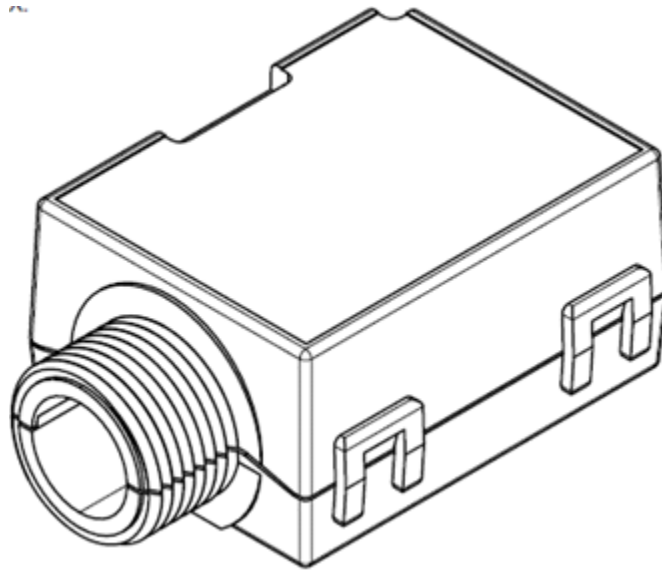


INSTALLATION INSTRUCTIONS



Order No.	Description
1809970009	EnOcean Wireless 20 Relay 902MHz
1809970109	EnOcean Wireless 20 Relay 868MHz

Molex is a registered trademark of Molex, LLC in the United States of America and may be registered in other countries; all other trademarks listed herein belong to their respective owners

IMPORTANT SAFETY INSTRUCTIONS. SAVE THESE INSTRUCTIONS

1. CAUTION AND WARNING

- **CAUTION** – Observe precautions for handling electrostatic sensitive devices.
- **WARRANTY** – Voided if device has been modified from its original configuration or in the event of hot plug/hot swap.
- **WARNING** – Risk of Electric Shock. Do not handle energized module with wet hands or when standing on wet or damp surfaces.
- Do not use outdoors.
- Suitable for damp locations
- This device complies with part 15 of the FCC Rules. Operation is subject to the following two conditions: (1) This device may not cause harmful interference, and (2) this device must accept any interference received, including interference that may cause undesired operation.
- Maximum temperature is 25°C ambient.
- Input: AC Voltage

**20A RELAY MUST BE INSTALLED BY A CORESYNC CERTIFIED TECHNICIAN OR QUALIFIED ELECTRICIAN
(CHECK WITH LOCAL AND NATIONAL CODES FOR PROPER INSTALLATION)**

INSTALLATION INSTRUCTIONS

2. Product Description:

EnOcean wireless 20A led relay controls any compatible load including LED drivers, fluorescent ballasts, motor controllers, actuators, etc., using wireless signals from self-powered wireless switches, wireless sensors, and/or gateways, etc. The controller is compatible with all 120VAC, 240VAC, or 277VAC circuits.

3. Procedures

Step 1. PLAN - Identify best mounting locations for receiver and transmitter. Perform range test to confirm operation prior to installation. Switch OFF breaker before making connections.

Step 2. CONNECT - Make connections to the Controller following wiring diagram and local electrical codes. Restore power.

Step 3. TEST - Press SELECT button to toggle output. Hold to dim.

Step 4. LINK Transmitters and Receivers following Linking Instructions below.

OPERATION

Use the Controller to dim and switch power to loads. Compatible loads include LED and fluorescent lighting, motors, etc.

LINKING INSTRUCTIONS

Note: The Controller must be powered on while linking. After linking, the Controller retains all settings in the event of power loss. Link up to 25 devices.

SIMPLE LINKING

Use Simple Link Mode for common applications:

1. HOLD the MENU button until the relay clicks (about 5 seconds), then release. The receiver will toggle a steady pattern indicating Simple Link Mode is active: — — — —
2. TRANSMIT the Link Signal by triple pressing the top button on switches or single pressing the Link (or teach) button on sensors. Relay pauses in ON position for 3 seconds when the link is created, then toggling resumes. Link additional transmitters (up to 25) as needed. (Relay pauses in OFF position for 3 seconds when the link is deleted.)
3. WAIT 30 seconds for Link Mode to exit automatically (toggling stops).

Simple Link Mode operating behavior

- Manual Switch Control (top button ON / bottom button OFF, hold to dim): Link any switch.
- Motion Sense Auto ON / Auto OFF: Link only Occupancy sensors.
- Manual Switch ON / Motion Sense Auto OFF: Link both Occ. Sensors & Switches.
- Window/Door Sensor: Closed ON / Open OFF.
- Key Card Control: Card in ON, Card out OFF

Molex is a registered trademark of Molex, LLC in the United States of America and may be registered in other countries; all other trademarks listed herein belong to their respective owners

INSTALLATION INSTRUCTIONS

- Control Transmitter: ON and OFF.
- Other Functionality: See instructions on page 2

ADDITIONAL FUNCTIONS

TEST FUNCTION:

Press and release the SELECT button to toggle Relay ON and OFF. Hold to dim.

SENSOR LINK TEST MODE

After linking, press the Link button on a sensor 6 times to activate the Link Test Mode. Subsequent presses from any linked sensor will cause the relay to toggle confirming the sensor is linked and testing the reliability of wireless communications. Link Test Mode will time out after 60 seconds of no activity.

CLEAR ALL LINKS

1. Activate Simple Link Mode by holding the MENU button until the Controller starts toggling.
2. Hold the SELECT button for 10 seconds to Clear All Links from the Controller.

SELECTIVE LINK DELETION

To remove one Link from Controller and leave others unaffected:

1. HOLD the MENU button to activate Link Mode. The toggling output confirms Link Mode is active.
2. TRANSMIT the Link Signal by triple pressing the top button on switches or single pressing the Link (or teach) button on sensors. Relay pauses in OFF position for 3 seconds when the link is deleted, then toggling resumes.
3. WAIT 30 seconds for Link Mode to exit automatically (toggling stops).

REPEATER MODE

Repeater function is DISABLED by default and may be enabled on specific controllers to extend the range by retransmitting all packets 1 or 2 times. Repeater mode may be changed using Advanced Setup instructions.

Transmit -> Repeater 1x -> Repeater 2x -> Receive.

- LEGAL DISCLAIMER -

The author has made every attempt to ensure the accuracy and reliability of the information provided in this document. However, the information is provided "as is" without warranty of any kind. Molex does not accept any responsibility or liability for the accuracy, content, completeness, legality, or reliability of the information contained in this document.

This document is provided to you solely for your own personal use and may not be used for resale, distribution, public display or performance or other similar uses by you. The materials in this document as well as its photographs, images, layout, organization and design are copyrighted and are protected by worldwide copyright laws and treaty provisions. Trademarks, logos and service marks displayed on this site are registered and unregistered trademarks of Molex, its licensors or content providers, or other third parties. All of these materials, trademarks, logos and service marks are the property of their respective owners.

Molex Connected Enterprise Solutions 



Molex is a registered trademark of Molex, LLC in the United States of America and may be registered in other countries; all other trademarks listed herein belong to their respective owners