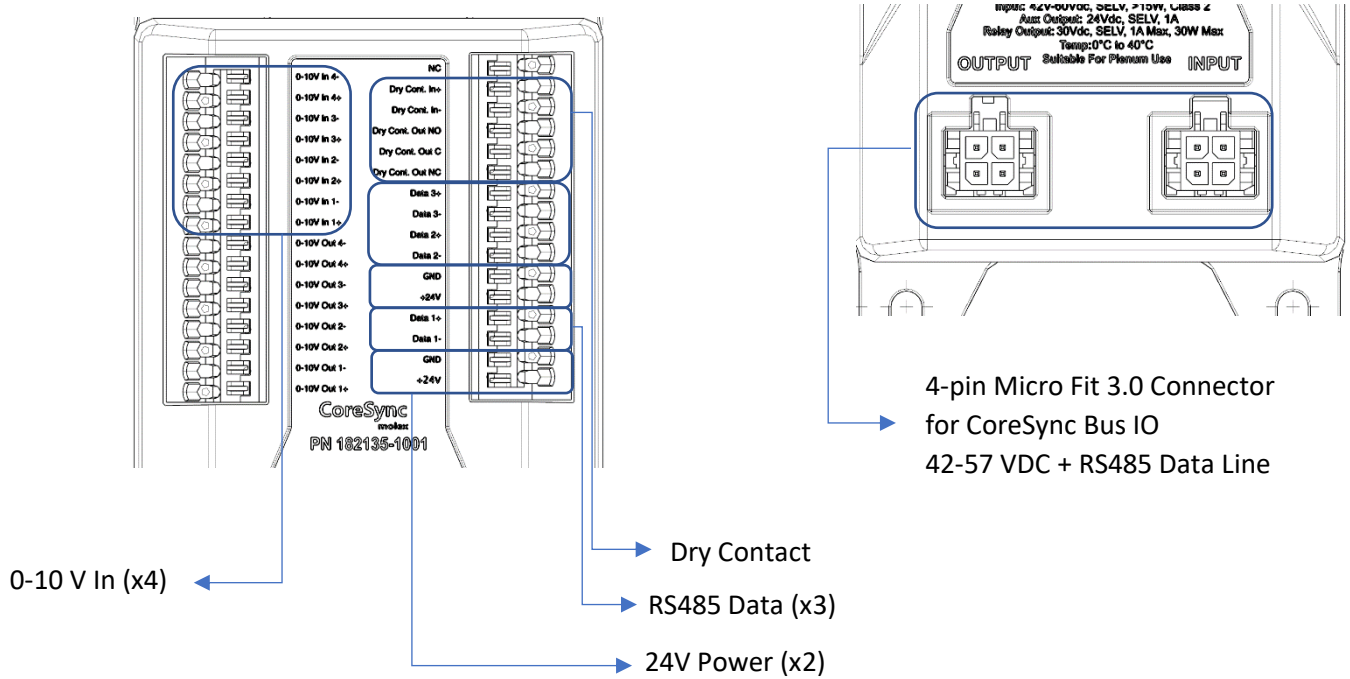
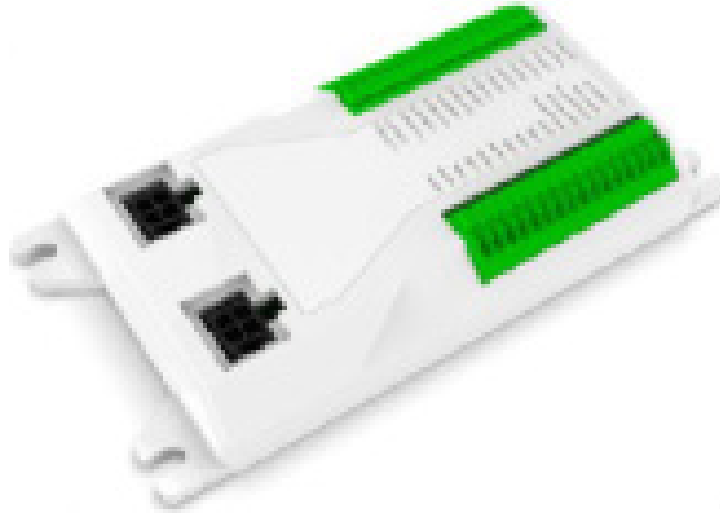


INSTALLATION INSTRUCTIONS



Order No.	Description
1821351001	CoreSync Gateway Interface Module

Molex is a registered trademark of Molex, LLC in the United States of America and may be registered in other countries; all other trademarks listed herein belong to their respective owners

1. CAUTION AND WARNING

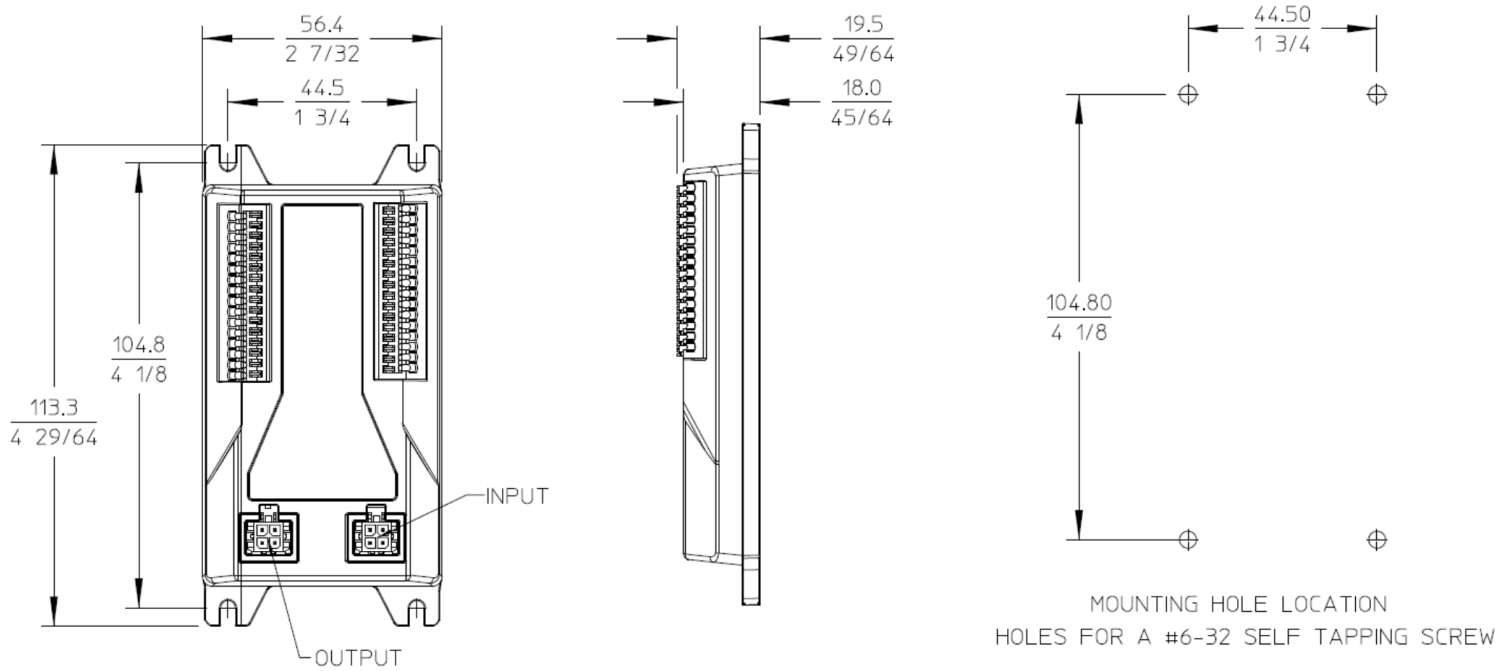
- **CAUTION** – Observe precautions for handling electrostatic sensitive devices.
- **WARRANTY** – Voided if device has been modified from its original configuration or in the event of hot plug/hot swap.
- **WARNING** – Risk of Electric Shock. Do not handle energized module with wet hands or when standing on wet or damp surfaces.
- Use only with Class 2 Power Unit – 60VDC Max.
- Do not use outdoors.
- Suitable for damp locations
- Conforms to UL960730-1, CAN/CSA-E60730-1. For CSA, device is intended to be installed in a restricted access area.
- Suitable for Use in Other Environmental Air Space (Plenums) in accordance with Section 300.22, (C) of the National Electrical Code
- This device complies with part 15 of the FCC Rules. Operation is subject to the following two conditions: (1) This device may not cause harmful interference, and (2) this device must accept any interference received, including interference that may cause undesired operation.
- Maximum temperature is 30°C ambient.
- Input: PoE voltage range of 42-57V.

INTERFACE MODULE MUST BE INSTALLED BY A CORESYNC CERTIFIED TECHNICIAN OR QUALIFIED ELECTRICIAN (CHECK WITH LOCAL AND NATIONAL CODES FOR PROPER INSTALLATION)

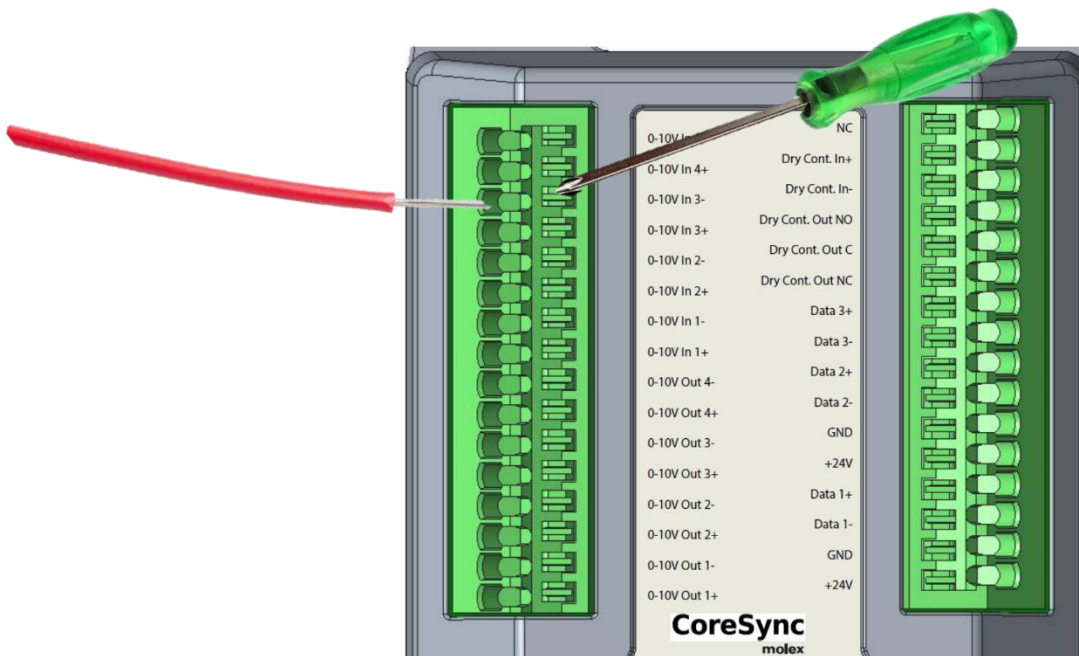
INSTALLATION INSTRUCTIONS

2. Procedures

Step 1. Refer to the mounting pattern below to mount the Interface Module



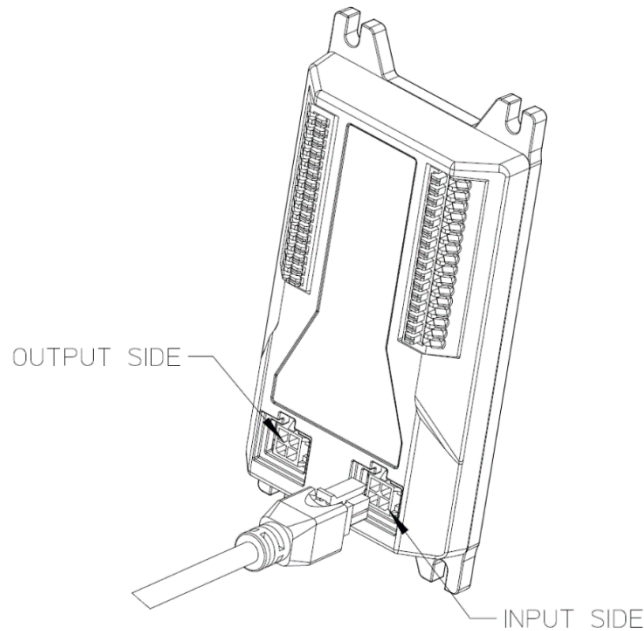
Step 2. Push in terminals callouts according to application to insert/remove designated wires:



Molex is a registered trademark of Molex, LLC in the United States of America and may be registered in other countries; all other trademarks listed herein belong to their respective owners

INSTALLATION INSTRUCTIONS

Step 3. Snap in the wire harness male connector into the female connector as shown below. The connector from the Gateway side must plug into the INPUT connector



Step 4. Use #8 self-tapping screws to mount the Interface Module

3. CALCULATING MAX CONNECTED DEVICES:

The IEEE 802.3bt standard guarantees at least 71.3W at the input of the Gateway. Using this number and the max power consumption of 3.2W for this gateway, provides 68.1W of connected devices. Please use individual data sheets of the connected devices in tandem with the CoreSync Harness Length Calculator to determine the maximum power consumption. For further details please refer to the CoreSync Academy Module “Device Layout & Design Overview”.

Molex is a registered trademark of Molex, LLC in the United States of America and may be registered in other countries; all other trademarks listed herein belong to their respective owners

- LEGAL DISCLAIMER -

The author has made every attempt to ensure the accuracy and reliability of the information provided in this document. However, the information is provided "as is" without warranty of any kind. Molex does not accept any responsibility or liability for the accuracy, content, completeness, legality, or reliability of the information contained in this document.

This document is provided to you solely for your own personal use and may not be used for resale, distribution, public display or performance or other similar uses by you. The materials in this document as well as its photographs, images, layout, organization and design are copyrighted and are protected by worldwide copyright laws and treaty provisions. Trademarks, logos and service marks displayed on this site are registered and unregistered trademarks of Molex, its licensors or content providers, or other third parties. All of these materials, trademarks, logos and service marks are the property of their respective owners.

Molex Connected Enterprise Solutions 



Molex is a registered trademark of Molex, LLC in the United States of America and may be registered in other countries; all other trademarks listed herein belong to their respective owners