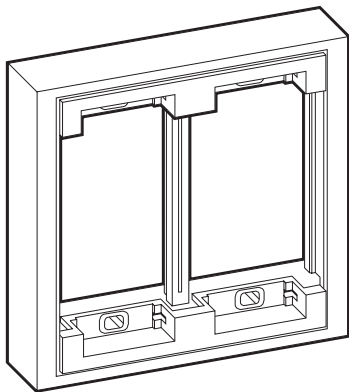
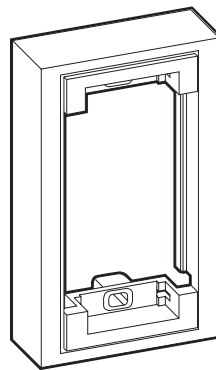


USO II BEZELS >

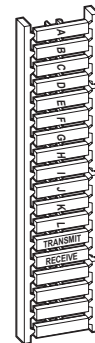
The USO II Bezels and corresponding modules are part of a complete line of office outlets and rack mount products. The bezels are constructed of ABS plastic, are available in four colors, and house a variety of RJ, RCA, Dtype, coax, and fiber optic modules. Each bezel comes with mounting screws, clear label holder(s), and color matched screw covers and are available with either alphabetic icons (A-F) or telcom icons (phone, fax, etc.).



Double Gang Bezel



Single Gang Bezel



Snapz Icon Tree

SPECIFICATIONS

Parts List:

Single Gang Bezel:

Bezel, 2 mounting screws, 1 color matched screw cover, 1 clear screw cover/label, 1 paper label, 1 Snapz™ icon tree

Double Gang Bezel: Bezel, 4 mounting screws, 2 color matched screw covers, 2 clear label holders, 1 paper label, 1 Snapz™ icon tree

Mechanical

Material: ABS Plastic - meets UL94V-0

Dimensions

Single Gang Bezel:

114mm x 70mm x 15mm

Double Gang Bezel:

114mm x 114mm x 15mm

Shipping Weight

Single Gang Bezel: 42g

Double Gang Bezel: 84g

ORDERING INFORMATION

Order No.	SAP No.	Description
WUS-00001-0*	Consult Molex	USO II Single Gang Bezel - alpha icons
WUS-00002-0*	Consult Molex	USO II Double Gang Bezel - alpha icons
WUS-00003-0*	Consult Molex	USO II Single Gang Bezel - telcom icons
WUS-00004-0*	Consult Molex	USO II Double Gang Bezel - telcom icons

Replace (*) in the part numbers above with one of the following color options:

1 = Almond, 2 = White, 4 = Black, 8 = Light Grey

www.molex.com/products/