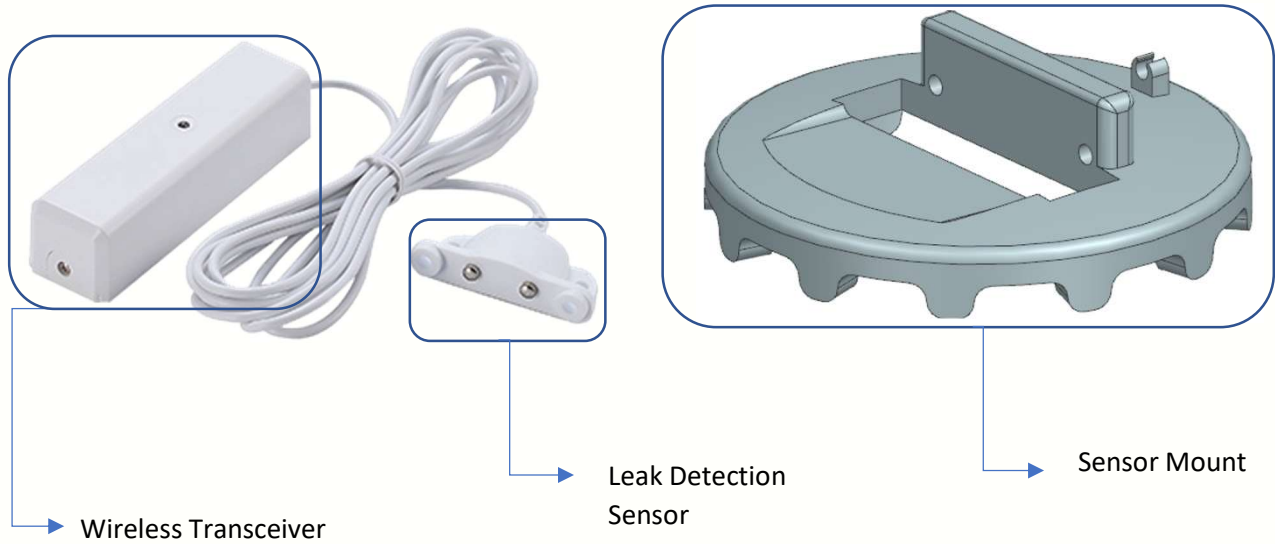
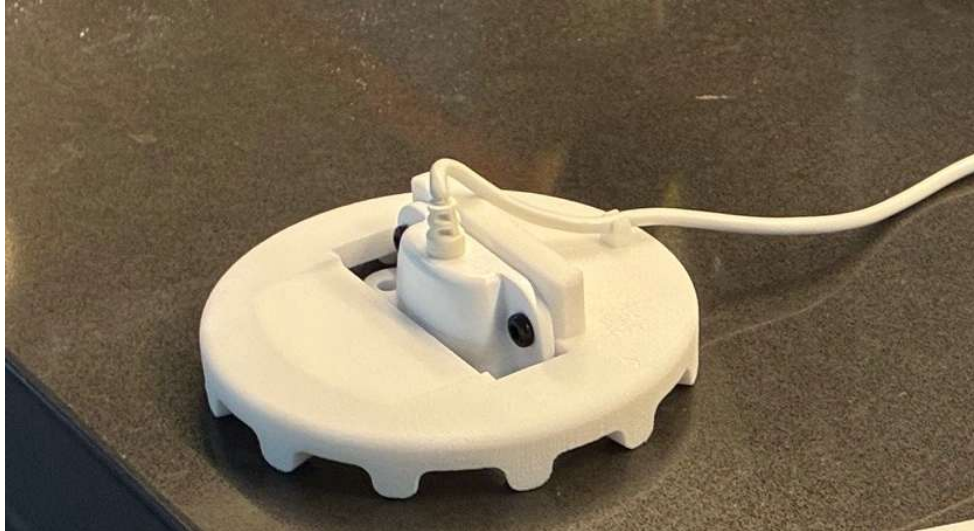


## INSTALLATION INSTRUCTIONS



Order No. Dual	Description
1809970010	EnOcean Water Leak Sensor, 902MHz NA
1809970110	EnOcean Water Leak Sensor, 868MHz EU

Molex is a registered trademark of Molex, LLC in the United States of America and may be registered in other countries; all other trademarks listed herein belong to their respective owners

### IMPORTANT SAFETY INSTRUCTIONS. SAVE THESE INSTRUCTIONS

#### 1. CAUTION AND WARNING:

- **CAUTION** – Observe precautions for handling electrostatic sensitive devices.
- **WARRANTY** – Voided if device has been modified from its original configuration
- DO NOT DISASSEMBLE THE WATER LEAK SENSOR
- DO NOT use in elevated temperature environment – more than 50°C
- DO NOT use Outdoors
- Only to be used with CoreSync System

**WATER LEAK SENSOR MUST BE INSTALLED BY A CORESYNC CERTIFIED TECHNICIAN OR QUALIFIED ELECTRICIAN  
(CHECK WITH LOCAL AND NATIONAL CODES FOR PROPER INSTALLATION)**

#### 2. Product Description:

The water leak sensor is a wireless sensor design to detect water leaks and report to the building management system.

#### 3. Included Hardware:

- a. Sensor and Transceiver, connected by 2 meter cable
- b. Battery
- c. Sensor Mount
- d. M3.5 Mounting Screws
- e. Flat Head Screw
- f. Adhesive Tape for Transceiver

## INSTALLATION INSTRUCTIONS

### 4. Required Hardware (Not included):

Philips screw driver

### 5. Installation Procedure:

**Step 1.** Identify a location to place the water leak sensor. This may be under an HVAC unit, refrigerator, or sink. The sensors low profile will allow it to be placed in a drip tray under a appliance if needed.

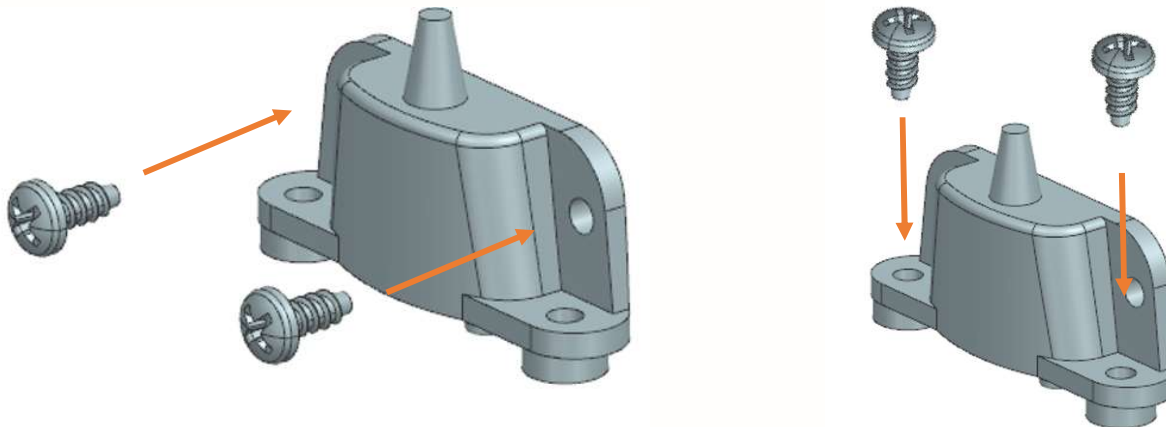
Always place the sensor in the path of a water flow should a leak happen. Consult with a plumber or contractor to identify this.

Ensure that the wireless transceiver can be placed on the wall or other surface away from any large metal objects to ensure best wireless performance.

**Step 2.** Unscrew the battery terminal in the transceiver and place the battery inside. Screw the cover back in place.

**Step 3.** Mount the sensor. The sensor must be mounted such that the two metal contacts are facing down as close to the floor as possible.

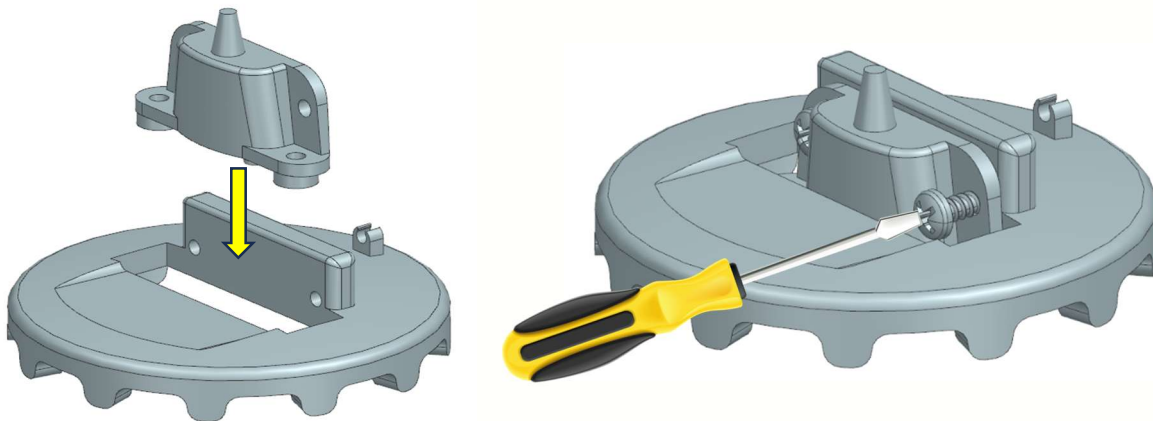
For a permanent mount, the sensor may be screwed directly into the wall or other vertical surface. It may also be mounted into the floor.



## INSTALLATION INSTRUCTIONS

The sensor may also be mounted to the provided sensor mount so it can be placed wherever it is needed. Place the sensor in the mount as shown in the photos below and use the M3.5 mounting screws to keep it in place.

The sensor mount has a low center of gravity to ensure that it will not get easily knocked over.



**Step 4.** Place the wireless transceiver as high as possible and away from any large metal objects to ensure best wireless communication. Use the provided double sided adhesive tape.

**Step 5.** Commission the wireless device.

**Step 6.** You can verify that the sensor is working correctly by placing the two metal parts of the sensor into water. After ~2 seconds, the red LED on the wireless transceiver will quickly flash signaling the detection message has been sent. After removing it from water, the red LED will flash again signaling the water is no longer detected.

### - LEGAL DISCLAIMER -

The author has made every attempt to ensure the accuracy and reliability of the information provided in this document. However, the information is provided "as is" without warranty of any kind. Molex does not accept any responsibility or liability for the accuracy, content, completeness, legality, or reliability of the information contained in this document.

This document is provided to you solely for your own personal use and may not be used for resale, distribution, public display or performance or other similar uses by you. The materials in this document as well as its photographs, images, layout, organization and design are copyrighted and are protected by worldwide copyright laws and treaty provisions. Trademarks, logos and service marks displayed on this site are registered and unregistered trademarks of Molex, its licensors or content providers, or other third parties. All of these materials, trademarks, logos and service marks are the property of their respective owners.

Molex Connected Enterprise Solutions 



Molex is a registered trademark of Molex, LLC in the United States of America and may be registered in other countries; all other trademarks listed herein belong to their respective owners